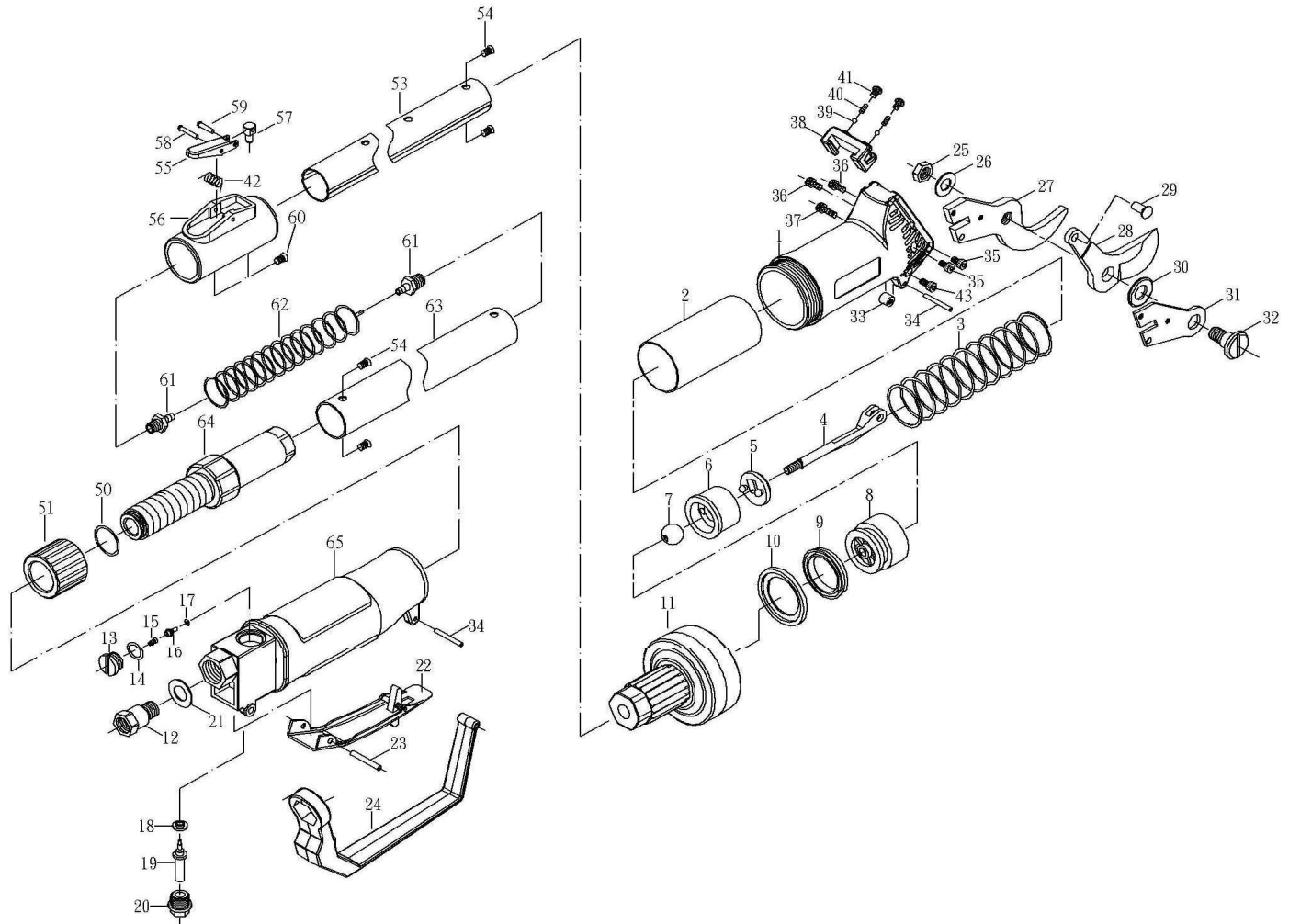


# OP-ST025L TELESCOPIC AIR PRUNING SHEAR



REF. NO	PART. NO	DESCRIPTION	Q' TY	REMARK
1	36001	HOUSING	1	
2	36002.1	BUSHING	1	
3	36003	SPRING	1	
4	36004B-1	SHAFT	1	
5	36005A	BUMPER	1	
6	36006A	SPRING PLATE	1	
7	36007A	JOIN TER	1	
8	36008	PISTON	1	
9	36009	PISTON RING	1	
10	36010	DAMPING RING	1	
11	360L11	HOUSING CAP	1	
12	20301	AIR INLET	1	
13	36013	SCREW	1	
14	20308	O-RING(P10A)	1	
15	20305A	SPRING	1	
16	36016	FRONT PUSH ROD	1	
17	36017	O-RING(N7004)	1	
18	36018	DAMPING RING	1	
19	36019	VALVE STEM	1	
20	36020	SCREW	1	
21	36021	WASHER	1	
22	36022	LEVER	1	
23	36023	PIN(4*30)	1	
24	36024	HANDLE GUARD	1	
25	36025	NUT	1	
26	36026	WASHER	1	
27	36027	LEFT BLADE	1	
28	36028	RIGHT BLADE	1	
29	36029	PIN	1	

REF. NO	PART. NO	DESCRIPTION	Q' TY	REMARK
30	36030	WASHER	1	
31	36031	GRIDE PLATE	1	
32	36032A	BOLT	1	
33	36033	NUT	1	
34	36034	PIN	1	
35	36035	SCREW (M4 X 6L)	2	
36	36036	SCREW (M4 X 8L)SPW	2	
37	36037	SCREW (M4 X 12L)	1	
38	36038	INSURE	1	
39	60813	STEEL BALL	2	
40	36040	SPRING	2	
41	36041	SCREW (M4 X 6L)	2	
42	360L42	SPRING	1	
43	36043	SCREW (M4 X 6L)	1	
50	80113	SPRING	1	
51	360L51	SCREW (M4 X 8L)	1	
53	360L53	SMALL BUSHING	1	
54	360L54	SCREW(3*4)	4	
55	360L55	ORIENT HANDLES	1	
56	360L56	ORIENT SET	1	
57	360L57	LOCATING STUD	1	
58	70432	PIN(3*24)	1	
59	360L59	PIN(3*12)	1	
60	20311	SCREW(3*8)	2	
61	360L61	COPPER CONNECTING	2	
62	360L62	TUBER PIPE	1	
63	360L63	BIG BUSHING	1	
64	360L64	END LINK THE AXLE	1	
65	360L65	HOLD HOUSING	1	

Remark:Ref No. or Part No. has been noted by ※ are not in warranty.

<http://www.onpin.com.tw>

DATE : A