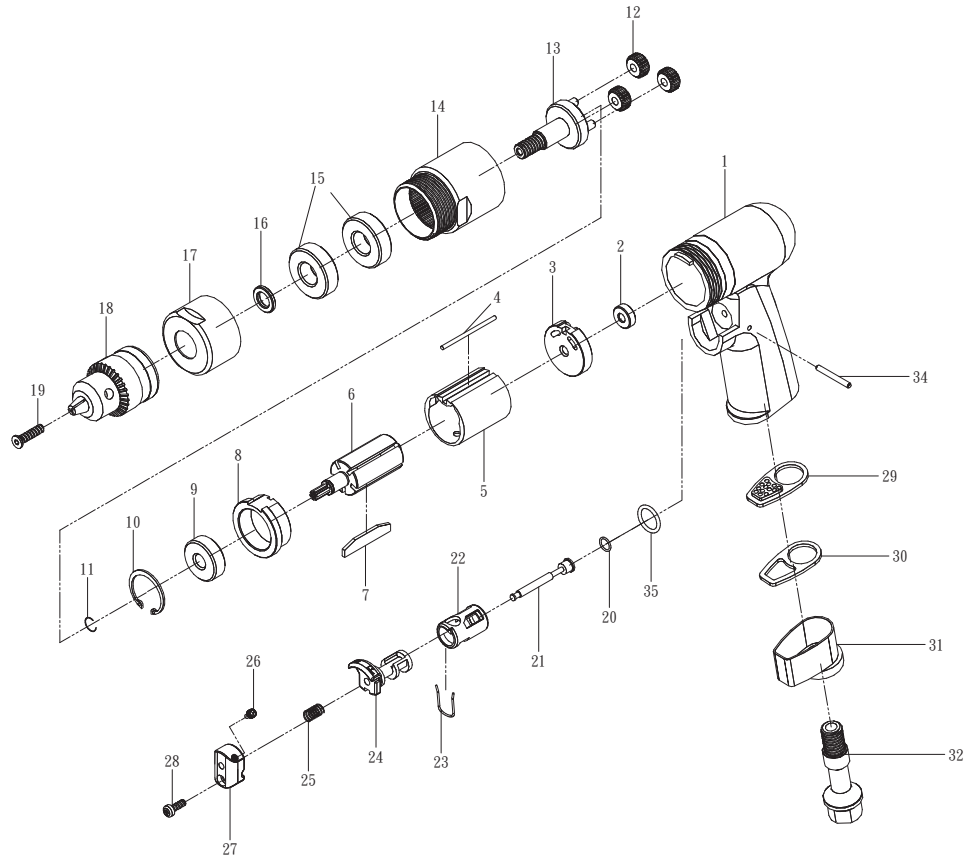


# OP-7P(3/8") Air Drill



HONG BING PNEUMATIC CO.,LTD.



PARTS NO.	Description	Q' ty
1	MOTOR HOUSING	1
2	BALL BEARING	1
3	REAR PLATE	1
4	PIN ( $\phi$ 2.8x42.8 )	1
5	CYLINDER	1
6	ROTOR	1
7	ROTOR BLADE	5
8	FRONT PLATE	1
9	BALL BEARING	1
10	RETAINING RING	1
11	RETAINING RING	1
12	PLANET GEAR	3
13	WORK SPINDLE	1
14	GEAR HOUSING	1
15	BALL BEARING	2
16	WASHER	1
17	GEAR HOUSING	1

PARTS NO.	Description	Q' ty
18	3/8" KEYED CHUCK WITH KEY	1
19	SCREW	1
20	O-RING (4x8)	1
21	VALVE	1
22	VALVE BUSHING	1
23	SPRING CLIP	1
24	RETAINING VALVE	1
25	TRIGGER SPRING	1
26	SCREW	1
27	TRIGGER	1
28	RETAINING SCREW	1
29	MUFFLER	1
30	GASKET	1
31	MUFFLER COVER	1
32	HOUSE ADAPTER	1
34	TRIGGER PIN ( $\phi$ 3.175x26.6 )	1
35	O-RING (AS-907)	1

NO.22,KOU SHIN RD.,SHENKANG DIST.,  
TAICHUNG CITY,TAIWAN

Model	Chuck Size (mm)	Free Speed (rpm)	Max Torque (Nm)	Over All Length (mm)	Weight (kg)	Air Inlet Size	Air Pressure (psi)
7P	10	1700		195	1.2	1/4"	90

--If you need to order parts,please mark both Parts NO. and Description.-- 2015/2/26 <http://www.onpin.com.tw>

<http://www.onpin.com.tw>

## 1 . General safety rules

Read all these safety instructions before operating product and save these instructions .

When using air tool , basic safety precautions , including the following , should always be followed to reduce the personal injury and fire . If you have any question , please contact our authorized representatives . The manufacturer will not accept any responsibility for damage caused by improper use of this toll .

### 1.1 For you own safety, read instruction manual before operating the tool .

Learn the tools application , and limitations as the specific hazards peculiar to it .

### 1.2 Danger of explosion!

Never use oxygen and combustible gas as an air supply for the tool which .

### 1.3 Never use gasoline or other flammable liquids to clean the tool .

Vapor in the tool will be ignited by spark and cause the tool to explode .

### 1.4 Keep work area clean!

The work area on which the machine is used must be cleaned up .

Disorder is a potential cause of accidents .

All onlookers and children should be kept away from the working area .

### 1.5 Store unused air tools safety!

Before storing and after operation, oil the tool at the air inlet and storing in dryer place , and of the reach of children .

### 1.6 Use the right air tool for the job!

If you could not dismantle screw nut in three-five seconds, please change to the more powerful tool.

### 1.7 Consider the working area environment!

Do not expose air tools to rain . Do not use air tools in damp or wet locations .

Keep the work area well it .

Do not use power tools in the presence of flammable liquids or gases .

Keep children and bystanders away while operating a air tool . Distractions can cause you to lose control .

### 1.8 Use safety goggles and ear protector .

To wear goggles and earplugs for reducing the risk of injury .

### 1.9 Dress properly!

Dress properly . Do not wear loose clothing or jewellery . Keep you hair , clothing and gloves away from moving parts . Loose clothes , jewellery or long hair can be caught in moving parts .

### 1.10 Secure workpiece!

Use clamps or a vice to hold workpiece . It is safer than using your hand and free both hands to operate the air tools .

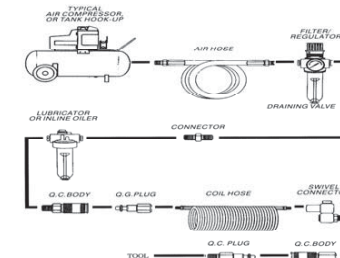
### Warning

- that power tools shall not be used in potentially explosive atmospheres unless specially designed for that purpose;
- that unexpected tool movement due to reaction forces or breakage of inserted tool or reaction bar may cause injuries;
- that power tools shall be isolated from the energy source before changing or adjusting the inserted tool;
- against the risk of crushing by torque between a reaction bar and the workplace;
- against the risk of loose clothing, hair, etc. being caught in the rotating spindle of the power assembly tool;

- against the risk of being injured if hands are not kept away from the reaction bar, specially observed when unscrewing in confined work places.
- against the risk of being injured if hands are not kept away from the nutrunner sockets;
- against the risk of being injured by whipping air hoses;
- that unexpected direction of inserted tool movement can cause a hazardous situation.
- To wear goggles and earplugs for reducing the risk of injury.

## 2 . Putting into operation

- 2.1 Dispose air compressor that have filter, inline oiler, adapters and lubricating oil. In the case of increasing working efficiency and extend tools' life and save your cost.



- 2.2 Before connecting the air hose, please apply 4 to 5 drops spindle oil(M12) at the air inlet. Moreover, oiling is necessary after operating 3 to 4 hours.  
Twist Teflon thread tape to ensure a proper seal air inlet .  
Then tighten the air coupler into air high speed grinder .
- 2.3 Use compressor' air coupler plug insert to tool inlet hose and confirm it whether loose.
- 2.4 to use only sockets and adapters which are in good condition and are intended for use with power tools;
- 2.5 The work air pressure is 6.2bar(90PSI).
- 2.6 Check whether reverse valve is adjusted to correct place.
- 2.7 Then push switch lever to start.
- 2.8 When hook, handle or other accessories attached with tool, recommended to use as well for reducing tiredness .
- 2.9 To operate the air drill, torque adjustable air screwdrivers, and air tappers that suggest to install with Robot Arm, when the work torque is bigger than 4 Nm.



## 3 . To keep in good repair

### 3.1 Maintain tools with care!

Avoid rust that you should oil the tool at the air inlet with spindle oil(M12).

It is necessary to examine whether or not lubricating oil (Poly Grease G-A) is enough in the impact construction.

Keep handles dry , clean and free from oil and grease .

### 3.2 Repairs

This air tool comply with the relevant safety regulations .

Repairs should only be carried out by an authorized service facility using original spare parts . Otherwise this may result in considerable danger to the user .

- 3.3 Please examine regularly if there is any wear in the spindles, threads, and clamping devices or not.

## 4 . Exploded view & parts list