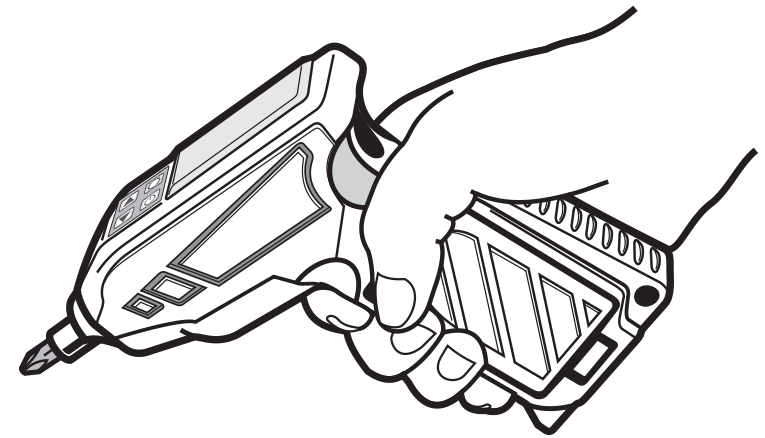


Note:

# Digital Torque Screwdriver

Operation manual

## HOW TO USE IT?



Model

10 Nm

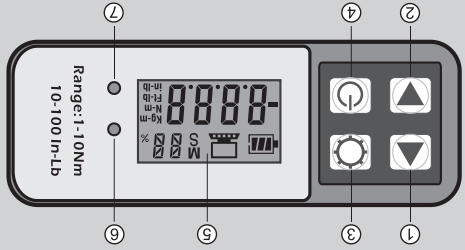
Range: 1-10Nm;10-100In-Lb

# Digital Torque Screwdriver

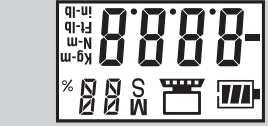
Operation manual

Model  
10 Nm

## Panel



- ① Increase key; Up key
- ② Decrease key; Down key
- ③ Set key; Memo key
- ④ Power key; Cancel key; Zero key
- ⑤ LCD panel
- ⑥ LED indicator: (Green); (Red)
- ⑦ LED indicator: (Yellow)



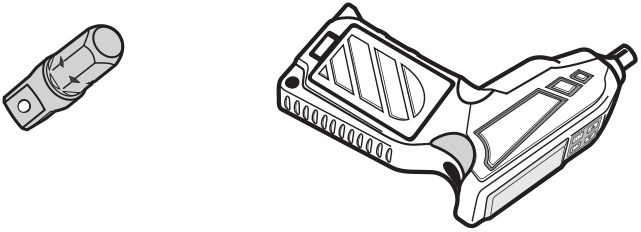
- Battery Indicator
- M** Memo Indicator
- S** Setting Indicator
- T** Tolerance Indicator
- D** Direction Indicator
- V** Values Indicator
- kg-m** Kilogram-Meter
- N-m** Newton-Meter
- ft-lb** Feet-Pound
- in-lb** Inch-Pound

## Specifications

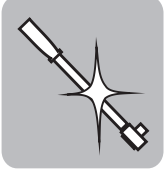
- Accuracy : C.W.:±1%;C.C.W.:±1.5%
- Operating Mode : Peak & Track (See Page-3 Tolerance Setting)
- Memory : 10 Readings
- Unit Selection : Nm, Ft-lb, In-lb, Kg-m
- Operating Temperature : -10°C~55°C
- Storage Temperature : -40°C~85°C
- Humidity : 0~90%
- Battery : 1.5V UM-4(AAA) X 3 (Do not use low-self discharge battery)

Status Icon	Description
	Notice
	Idle 65Sec.
	Press the Button 2 times
	Press the Button
	Press the Button 1Sec.
	LCD Blinking
	Vibration
	LED (Green)
	Power OFF

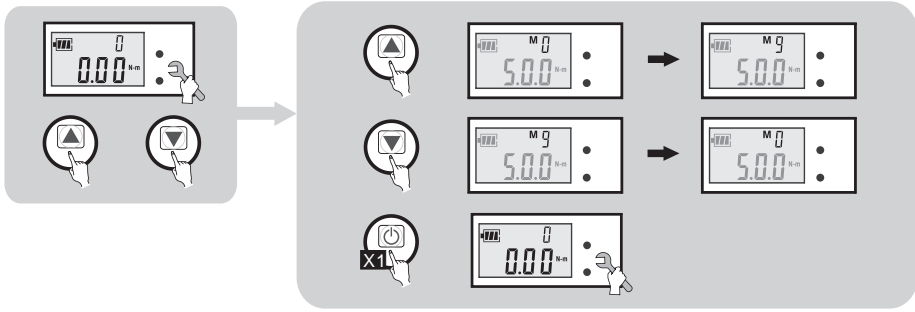
## Check your parts



1 Years

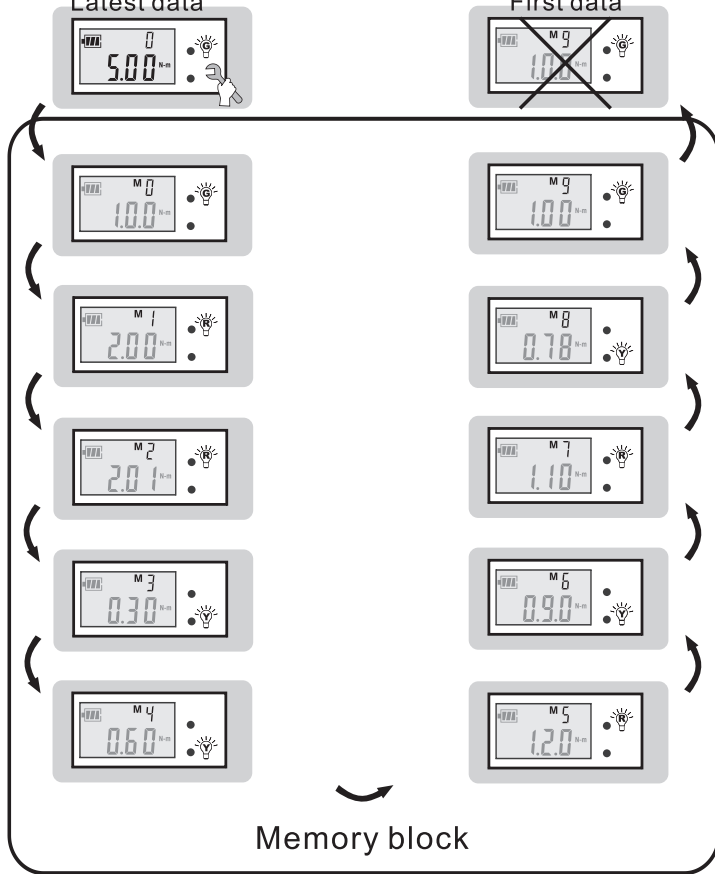


### 10 sets of historical torque values



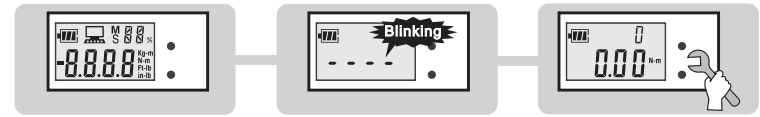
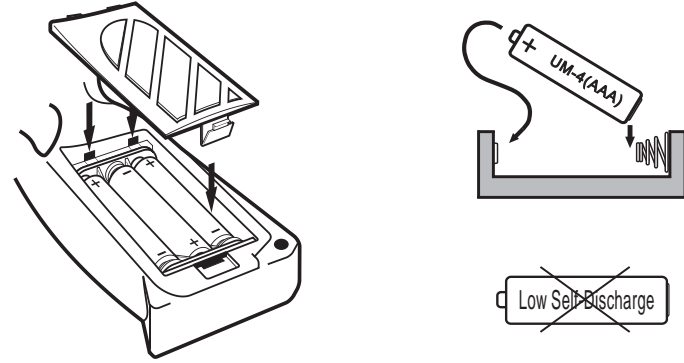
Latest data

First data

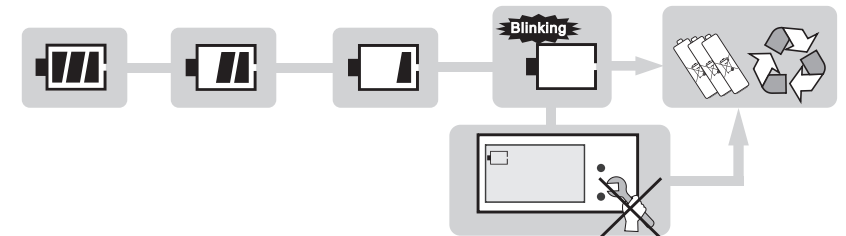
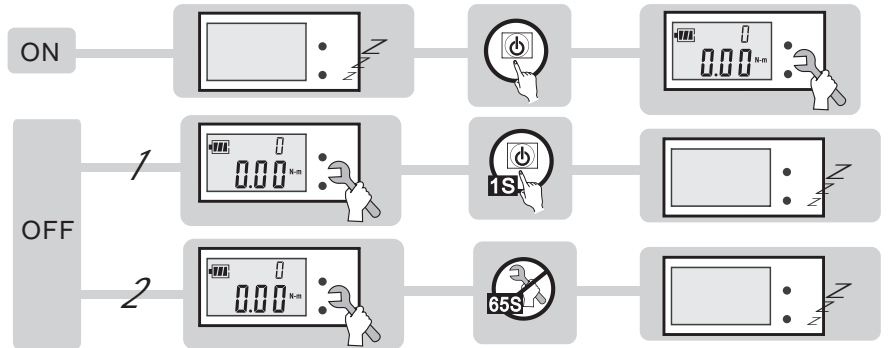


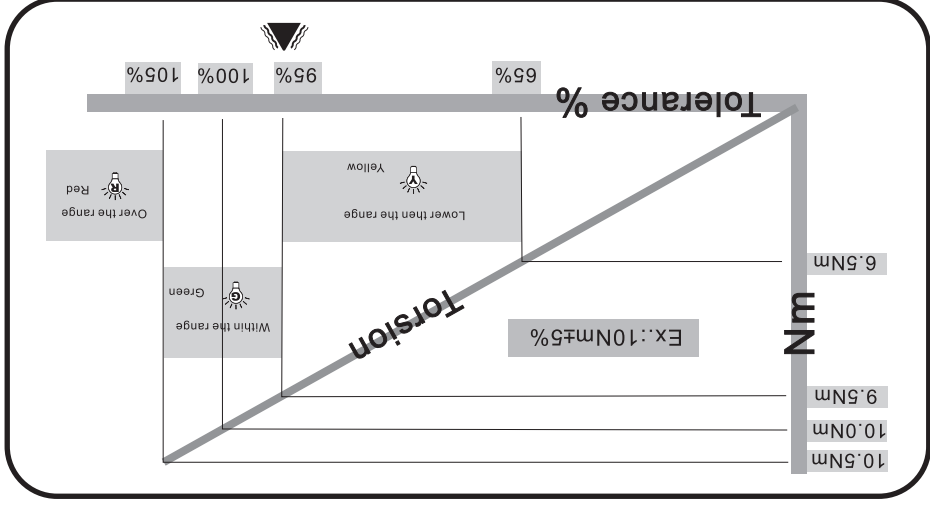
Memory block

### Battery Installation

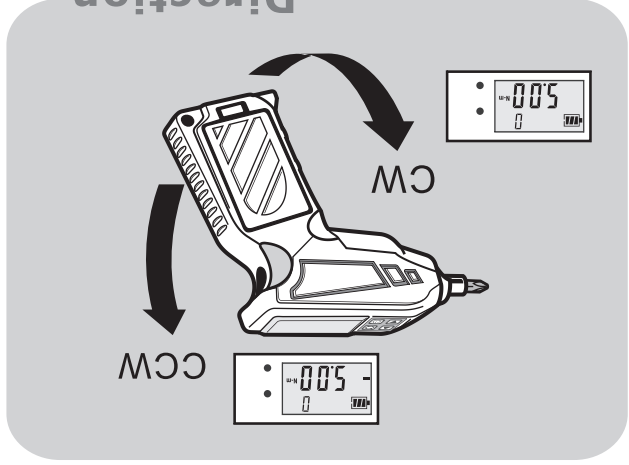


### Power





Direction



Red LED (over the pre-set deviating range)  
 Green LED (within the pre-set deviating range)  
 Yellow LED (lower than the pre-set deviating range)

Reset

